

# MINITEMP™

Portable Infrared Thermometer from Radir.com

## Noncontact Temperature Measurement



## MiniTemp™ The new way to measure temperatures

Raytek MiniTemp is pocket-sized and easy to use—just point, shoot and read the temperature on the large backlit display. When you need a fast, easy, safe way to measure surface temperature, you need a MiniTemp noncontact thermometer. Use MiniTemp at work, at home, anywhere.

### CHOICE OF MODELS

Choose between MiniTemp MT2, no laser sighting, or MiniTemp MT4, with laser sighting. Both models are powered by a 9V battery and display temperatures in either °C or °F. An accessory pack including a pouch and wrist strap is also available.

### APPLICATIONS

**Automotive** - Troubleshoot engines including ignition system problems and fuel/air adjustments. Diagnose cooling systems including thermostats and coolant sensors; radiators; brakes; and tires.

**HVAC** - Balance room temperatures, monitor supply/return registers, check furnace performance, perform energy audits, and check window insulation.

**Electrical** - Check electrical panels for hot spots, find defective transformers, and detect loose electrical connections.

**Food safety** - Check holding, serving, and storage temperatures, maintain freezers, ovens, ranges, and dishwashers.

**And more** - Hundreds of work, home, and recreational applications.

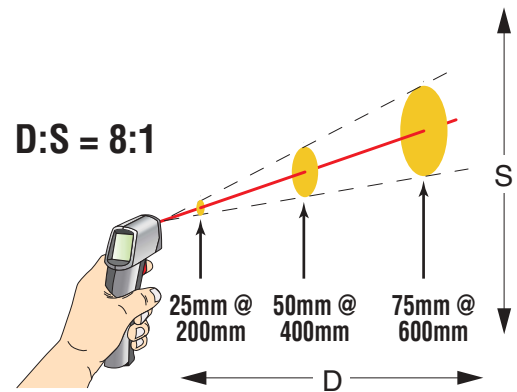
- Simple to use
- Instant readings
- Laser Point™ (MT4)
- Large, easy to read display
- Temperature Range -18° to 275°C
- °C or °F selectable

## MINITEMP Specifications

Temperature range	-18 to 275°C
Accuracy (23°C ambient temperature)	-1°C to 275°C ±2% or ±2°C whichever is greater -18°C to -1°C ±3°C
Repeatability	±2% of reading, or ±2°C, whichever is greater
Response time	500 mSec, 95% response
Spectral response	7-18 µm
Emissivity*	pre-set 0.95
Ambient operating range	0 to 50°C
Relative humidity	10-95% RH noncondensing, @ up to 30°C
Storage temperature	-20° to 65°C without battery
Weight / Dimensions	227 g ; 152 x 101 x 38 mm
Power	9V Alkaline or NiCd battery (included)
Battery life (Alkaline)	22 hrs (MT2) 12 hrs (MT4)
Laser Class II	No (MT2) Yes (MT4)
Typical distance to target (Spot)	Up to 1.5 m
Distance to spot (D:S)	8:1 (see diagram)
Additional options/Accessories	Nylon holster

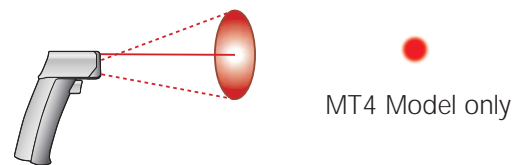
\*For more information on emissivity for unique applications visit  
[www.raytek.com/emissivity.htm](http://www.raytek.com/emissivity.htm)

## Optical Resolution



The MiniTemp is intended for close range targets, measuring a minimum target area of 25 mm in diameter out to a distance of approximately 200 mm, and has a 150 mm target measurement area at 1.5 m.

## Laser Sighting



**Laser Point™** Single-point laser indicates the approximate center of the target spot.

[www.Radir.com](http://www.Radir.com)

for up-to-the-minute features

### Worldwide Headquarters

**Raytek Corporation**  
1201 Shaffer Rd. PO Box 1820  
Santa Cruz, CA USA  
Tel: 1 800 866 5478  
1 831 458 1110  
Fax: 1 831 425 4561  
[solutions@raytek.com](mailto:solutions@raytek.com)

**Raytek de Mexico, S.A. de C.V.**  
Puebla, Pue. Mexico  
Tel: 52 222 230 4380  
Fax: 52 222 230 4438  
[ventas@raytek.com.mx](mailto:ventas@raytek.com.mx)

**Raytek China Company**  
Beijing, China  
Tel: 86 10 6439 2255  
Fax: 86 10 6437 0285  
[info@raytek.com.cn](mailto:info@raytek.com.cn)

**Raytek Japan, Inc.**  
Osaka, Japan  
Tel: 81 6 4390 5015  
Fax: 81 6 4390 5016  
[info@raytekjapan.co.jp](mailto:info@raytekjapan.co.jp)

### South American Headquarters

**Raytek do Brasil**  
Sorocaba, SP Brasil  
Tel: 55 15 32176046  
Fax: 55 15 32175694  
[raytek@raytek.com.br](mailto:raytek@raytek.com.br)

### European Headquarters

**Raytek GmbH**  
Berlin, Germany  
Tel: 49 30 4 78 00 8 400  
Fax: 49 30 4 71 02 51  
[raytek@raytek.de](mailto:raytek@raytek.de)

**Raytek UK**  
Milton Keynes, United Kingdom  
Tel: 44 1908 370000  
Fax: 44 1908 370055  
[ukinfo@radir.com](mailto:ukinfo@radir.com)

**Raytek France**  
Palaiseau, France  
Tel: 33 1 64 53 15 40  
Fax: 33 1 64 53 15 44  
[info@raytek.fr](mailto:info@raytek.fr)



© 2002 Raytek (56003 Rev. C) 11/2002  
Raytek and the Raytek logo are registered trademarks, and MiniTemp and Laser Point are trademarks of Raytek Corporation. Specifications subject to change without notice.

**Raytek®**